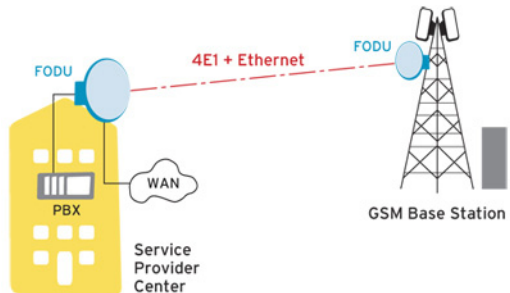
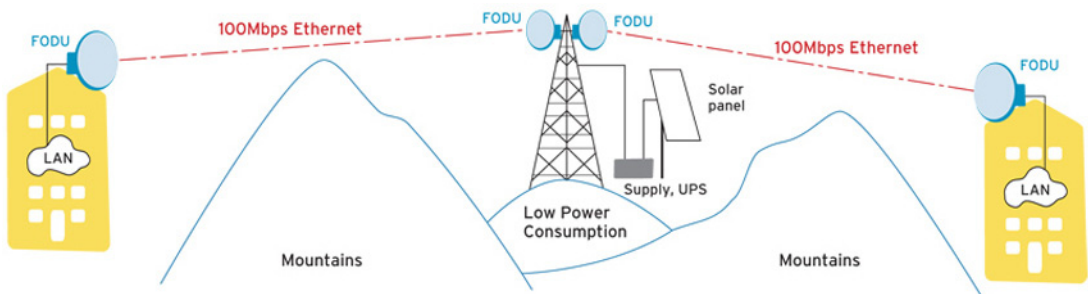


4E1 + Ethernet with CFIP FODU



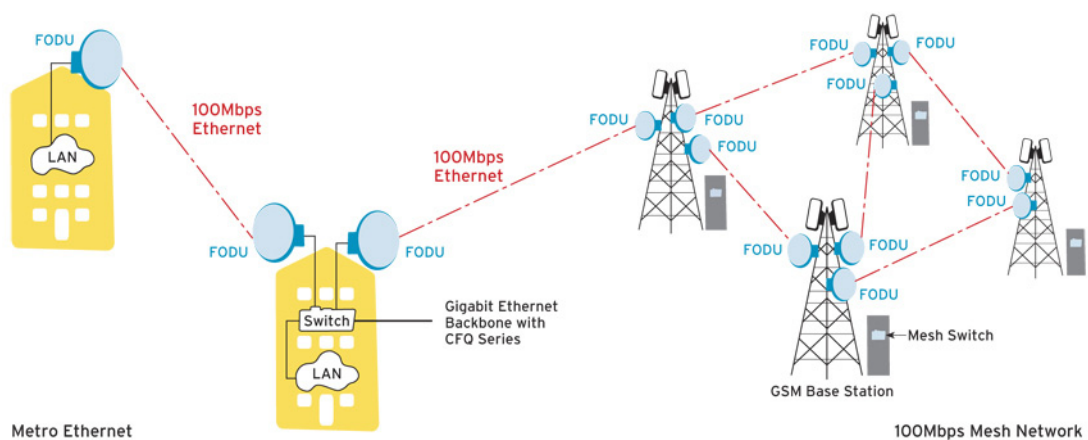
- CFIP is a perfect tool to replace existing low capacity E1 radio system by preserving E1 connectivity where needed and adding high capacity packet channel for future use, perfect for overlaying GSM network with 3G/WiMax and LTE (Long Term Evolution) services;
- Suitable for transition from TDM to Ethernet based networks;
- CFIP FODU supports SNMP for SAF NMS.

Low Power Active Repeater with CFIP FODU



- Extends network to non line-of-sight locations;
- Ideal for crossing mountains and interconnecting Ethernet networks;
- Low power consumption allows the use of battery backed alternative power sources like solar panel and small wind turbine for off-grid remote sites.

Metro Ethernet and Mesh Network with CFIP FODU



- Suitable for any 100Mbps Ethernet network topology - star, ring, mesh network;
- Full Outdoor solution with Power over Ethernet is efficient for All Outdoor Base station connectivity, Last Mile Access for demanding power user and many other applications;
- Gigabit Ethernet backhaul can be supported with SAF CFQ Series products.

Metro Ethernet

100Mbps Mesh Network