

RC1101-FEV35E1 G.SHDSL.bis Modem

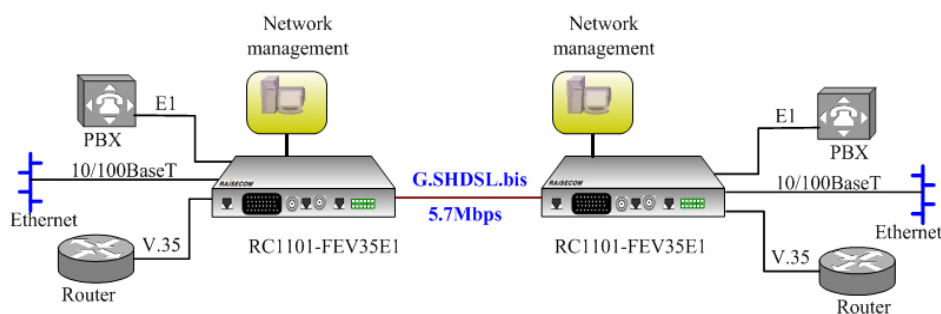
The RC1101-FEV35E1 modem is a standalone device which uses TC-PAM 16 or TC-PAM 32 line coding SHDSL.bis technology to extend the range of digital interfaces including E1, FE and V.35 over 2-wire cable. RC1101 can work point-to-point with itself or with Raisecom RC1102 module which can be inserted in Raisecom 1slot, 4slot or 16 slot chassis for central management. When it works point to point the bandwidth can reach 5.7Mbps and when it works with central device RC1102-E1

the line speed is 2.3Mbps. Monitoring, control and diagnostics of local and remote units are available via SNMP port of chassis when it works with central RC1102-E1. And by supervisory port of RC1101 local management can be realized when it works point to point. RC1101 also supports alarm relay interfaces on the front panel so that minor and major alarms can be relayed to remote alarm device for convenience of alarm monitoring.

Feature

Main Feature	Complies with ITU-T G.991.2 standards for G.SHDSL
Data Rates	Date rates of 64Kbps to 5.7Mbps over 2-wire
Line Coding	TC-PAM 16 or TC-PAM 32
Ethernet Port	10/100Mbps auto-negotiation; Auto-MDI/MDIX .
E1 Bit Rate	2048Kbps±50ppm
V.35 Rate	E1 fractional mode V.35 rate is $N \times 64\text{Kbps}$ $N=1\sim 31$; E1 unframed mode V.35 rate is 2048Kbps.
Power Supply	DC: -48V Voltage: -36V ~-72V; DC: +24V Voltage: +18V ~+36V; AC: 220V Voltage: 100V~260V.
Management	Management via SNMP or ASCII terminal
Dimension	260*38*192 mm (W*H*D)
Store Temperature	-40~+70 Centigrade
Working Temperature	0~40 Centigrade
Humidity	5%~95%

Typical Application



Point to Point Application

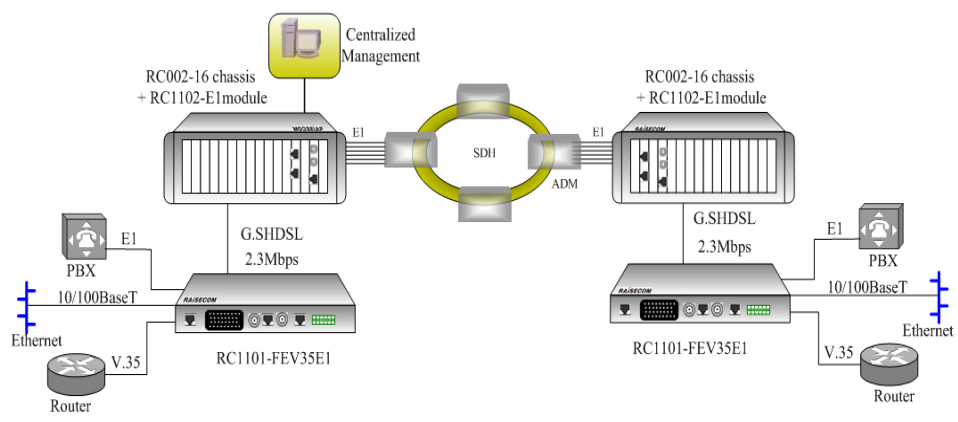


RC1101-FEV35E1 front & rear panel

Specification

Management port	Supervisory port on RC1101
Fixed port	1 G.SHDSL port 1 Fast Ethernet port 1 E1 port 1 V.35 port 1 Console port 1 Alarm Relay port
G.SHDSL port	RJ45
V.35 Port	$N \times 64\text{Kbps}$ $N \leq 32$; M34; Complied with ITU standard.
E1 Port	75 ohm unbalanced and 120 ohm balanced simultaneous
Eth Port	10/100M auto-negotiation
Alarm Relay Port	2 channels
Indicators	Power Supply V.35 port status E1 Loss & others Ethernet port status

Typical Application



Central Management Application

Compliance

Standards & protocols	IEEE802.3x full duplex on 10BaseT, and 100BaseT ports; RS232 standard; ITU-T G.703; ITU-T G.823; ITU-T G.742 ITU-T G.751;
-----------------------	--

Ordering Information

Part Number	Description
RC1101-FEV35E1/DC	Standalone G.SHDSL modem with 2-wire uplink. 1E1 (balanced and unbalanced simultaneous), 1FE (10/100M) and one V.35 (M34) client ports. DC power supply (-36~-75V)
RC1101-FEV35E1/AC	Standalone G.SHDSL modem with 2-wire uplink. 1E1 (balanced and unbalanced simultaneous), 1FE (10/100M) and one V.35 (M34) client ports. AC power supply (100~240V)